



COAXIAL REFLECTIONLESS

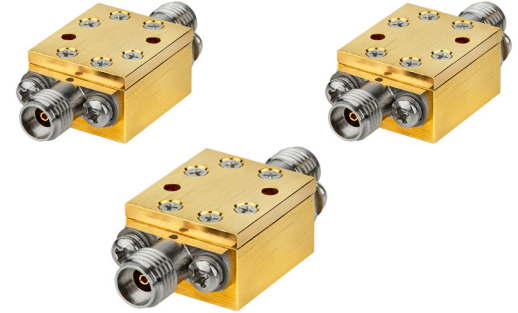
# Bandpass Filter

## ZXBF SERIES

50Ω 2 to 21 GHz

### THE BIG DEAL

- Patented design terminates Stopband signals
- Stopband up to 40 GHz
- High Stopband rejection, up to 60 dB



### PRODUCT OVERVIEW

Mini-Circuits' ZXBF Series reflectionless filters employ a novel filter topology which absorbs and terminates stop band signals internally rather than reflecting them back to the source. Reflectionless filters eliminate stopband reflections, allowing them to be paired with sensitive devices and used in applications that otherwise require circuits such as isolation amplifiers or attenuators. This is developed in a new broadband, stable connectorized package.

### KEY FEATURES

Feature	Advantages
Easy integration with sensitive reflective components, e.g. mixers, multipliers	Reflectionless filters absorb unwanted signals, preventing reflections back to the source. This reduces generation of additional unwanted signals without the need for extra components like attenuators, improving system dynamic range.
Cascadable	Reflectionless filters can be cascaded in multiple sections to provide sharper and higher attenuation, while also preventing any standing waves that could affect pass band signals.
Excellent stability over temperature	Minimal variation in electrical performance across temperature.
Operating temperature up to 105 °C	Suitable for operation close to high power components.
Broadband connectorized package	The connectorized package works well even in high frequencies and easy to interface with other devices. This is well suited for test setups.

REV. OR  
ECO-012169  
ZXBF-K163+  
EDU3920  
URJ  
220305





# COAXIAL REFLECTIONLESS Bandpass Filter

## ZXBF-K163+

50Ω 15.5 to 16.5 GHz

### FEATURES

- Match to 50Ω in the stop band, eliminates undesired reflections
- Cascadable
- Good stopband rejection, 52dB typ.
- Temperature stable, up to 105°C
- Protected by US Patents 8,392,495; 9,705,467, additional patent pending
- Protected by China patent 201080014266.1
- Protected by Taiwan patent I581494



Generic photo used for illustration purposes only

Model No.	ZXBF-K163+
Case Style	UK3042
Connectors	2.92mm-F

### APPLICATIONS

- Aerospace & Defense
- Satellite
- Telecomm
- KA band block down converters
- Microwave Point-to-Point Links

#### +RoHS Compliant

The +Suffix identifies RoHS Compliance. See our web site for RoHS Compliance methodologies and qualifications

### ELECTRICAL SPECIFICATIONS AT 25°C

Parameter	F#	Frequency (MHz)	Min.	Typ.	Max.	Units	
Passband	Insertion Loss	F1-F2	15500 - 16500	—	5.5	6.8	dB
	Return Loss	F1-F2	15500 - 16500	—	15.0	—	dB
Stop Band, Lower	Insertion Loss	DC-F3	DC - 8000	45	52	—	dB
	Return Loss	DC-F3	DC - 8000	—	20	—	dB
Stop Band, Upper	Insertion Loss	F4-F5	24000 - 30000	40	52	—	dB
	Return Loss	F4-F5	24000 - 30000	—	8	—	dB

### ABSOLUTE MAXIMUM RATINGS<sup>3</sup>

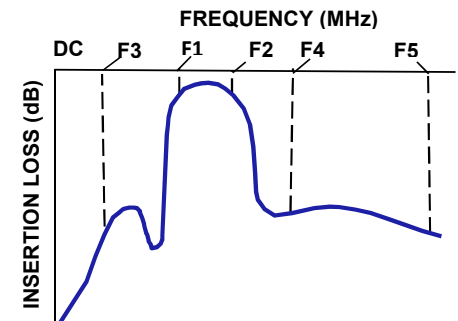
Parameter	Ratings
Operating temperature	-55°C to +105°C
Storage temperature	-55°C to +105°C
RF Power Input, Passband (F1-F2) <sup>1</sup>	0.5W at 25°C
RF Power Input, Stopband (DC-F1, F2-F5) <sup>2</sup>	0.16W at 25°C

<sup>1</sup> Passband rating derates linearly to 0.25W at 105°C ambient

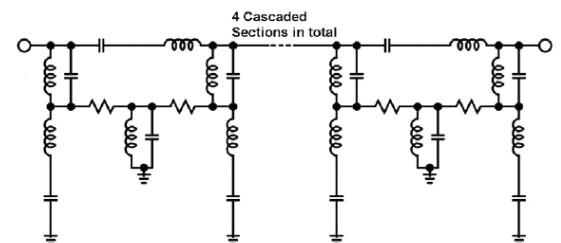
<sup>2</sup> Stopband rating derates linearly to 0.08W at 105°C ambient

<sup>3</sup> Permanent damage may occur if any of these limits are exceeded

### TYPICAL FREQUENCY RESPONSE



### FUNCTIONAL SCHEMATIC

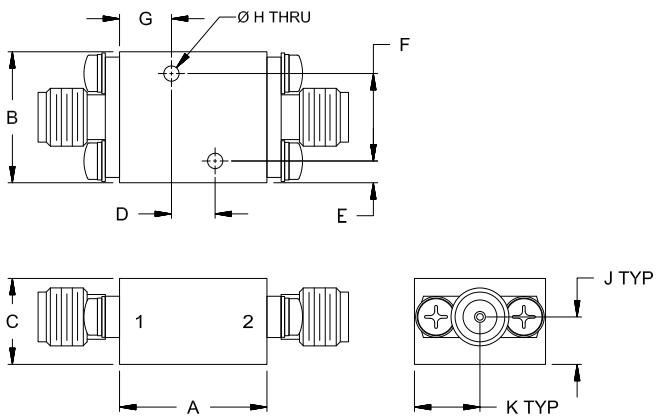




### COAXIAL CONNECTIONS

PORT 1	2.92mm-Female
PORT 2	2.92mm-Female

### OUTLINE DRAWING



### OUTLINE DIMENSIONS (Inches/mm)

A	B	C	D	E	F
.68	.60	.39	.200	.10	.400
17.1	15.2	10.0	5.08	2.5	10.16
G	H	J	K	Wt.	
.24	.070	.22	.30	grams	
6.0	1.78	5.5	7.6	<b>24</b>	

Note. Please refer to case style drawing for details

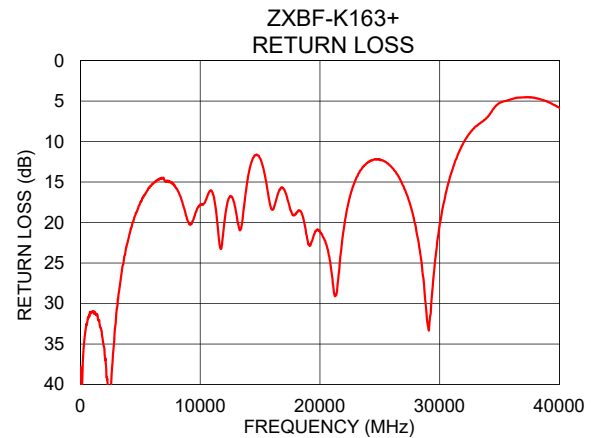
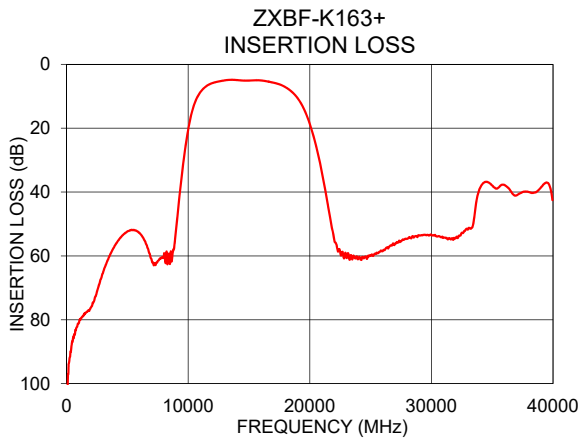
### ESD rating

Human Body Model (HBM): Class 1C (Pass 1000V) in accordance with ANSI/ESD STM 5.1 - 2001



### TYPICAL PERFORMANCE DATA AT 25°C

Frequency (MHz)	Insertion Loss (dB)	Return Loss (dB)
25	116.77	37.85
500	86.86	32.51
5000	52.34	17.55
8000	60.54	15.78
9625	30.18	18.76
10025	20.00	17.79
15500	5.00	14.88
15700	5.00	16.67
16000	5.05	18.41
16500	5.35	16.43
20125	20.12	21.35
20800	30.20	24.38
24000	60.76	12.58
30000	53.52	20.22
40000	44.38	5.85



#### NOTES

- A. Performance and quality attributes and conditions not expressly stated in this specification document are intended to be excluded and do not form a part of this specification document.
- B. Electrical specifications and performance data contained in this specification document are based on Mini-Circuit's applicable established test performance criteria and measurement instructions.
- C. The parts covered by this specification document are subject to Mini-Circuits standard limited warranty and terms and conditions (collectively, "Standard Terms"); Purchasers of this part are entitled to the rights and benefits contained therein. For a full statement of the standard. Terms and the exclusive rights and remedies thereunder, please visit Mini-Circuits' website at [www.minicircuits.com/MCLStore/terms.jsp](http://www.minicircuits.com/MCLStore/terms.jsp)